



昂欣 企業有限公司

ON SHINE ENTERPRISE CO.,LTD.

11F-6. NO 880. CHUNG CHENG ROAD

CHUNG HO CITY TAIPEI TAIWAN

TEL:886-2-82281766 FAX:886-2-82281785

<http://www.onshine.com.tw>

RX MODULE

MODELNO:RXA27L-xxxMHz

REV.NO.:1

The Module's Frequency is From UHF ASK 280~433.92MHz.

High sensitivity Passive Design.

4800 B/S Baseboard Data Rate.

Simple To Apply With Low External Parts Count.

Low Supply Voltage : Vcc = 5 Vdc

ASK Data Shaping Comparator Included.

General description



The RXA27 is a miniature receiver module that receives On-off keyed (OOK) modulation signal and demodulated to digital signal for the next decoder stage. Local Oscillator is made of L/C structure. The result is excellent performance in a simple-to-use.

The RXA27 is designed specifically for licensed remote-control and wireless security receiver operating at 315/434MHz in the USA under FCC Part 15 regulation


Application

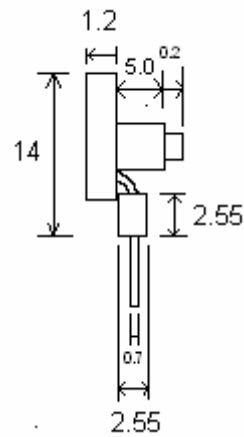
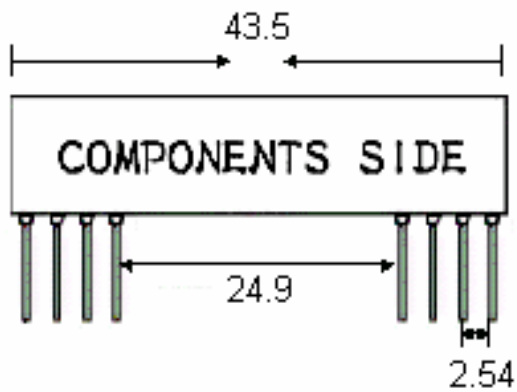
- Home security systems
- Car Alarm systems
- Remote gate controls
- Sensor reporting

A.SPECIFICATION

| ITEM NO | PARAMETER | DESCRIPTION | VALUE | | | |
|---------|---------------------------|------------------------|------------|------|------|------|
| | | | MIN | TYP | MAX | UNIT |
| 1. | Operating Radio Frequency | | 280~433.92 | | | MHz |
| 2. | Sensitivity | Vcc5.0,AT25C BER=3/100 | | -107 | | dBm |
| 3. | Modulation | | | ASK | | |
| 4. | Power Supply | | 4.75 | 5 | 5.25 | v |
| 5. | Supply Current | | | 5 | | mA |
| 6. | Data Rate | | | 1 | | Kbps |
| 7. | Operating Temperature | | -20 | | +70 | |
| 8. | Storage Temperature | | -20 | | +70 | |
| 9. | RF Bandwidth-3dB | | | 4 | | MHz |

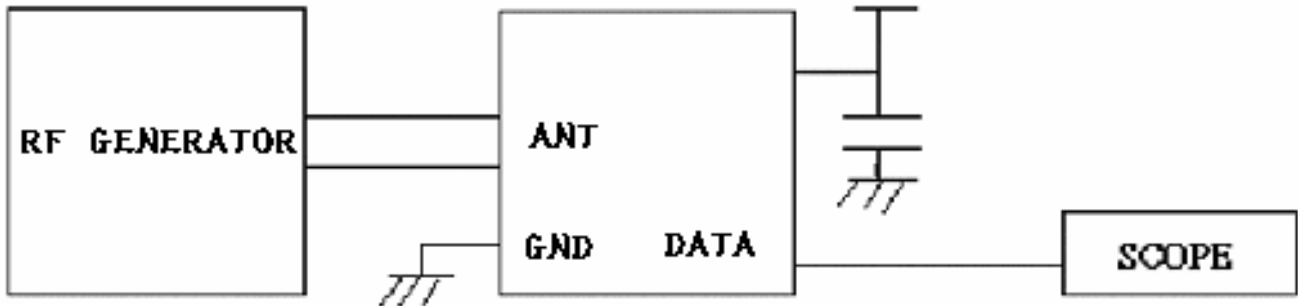
B.DIMENSION

| PIN | Connections | <p style="text-align: right;">TOP VIEW</p>  |
|-----|----------------|--|
| 1 | GND | |
| 2 | DIGITAL OUTPUT | |
| 3 | LINEAR OUTPUT | |
| 4 | VCC | |
| 5 | VCC | |
| 6 | GND | |
| 7 | GND | |
| 8 | ANT | |

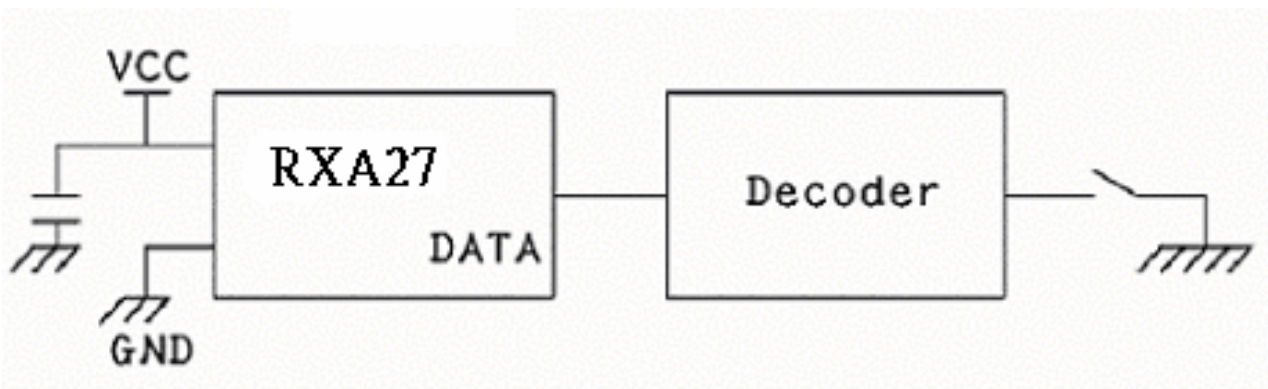


UNIT : mm

C.TYPING TEST CIRCUIT



D.TYPICAL RECEIVER APPLICATION



Notes:

1. Encoder : HT12D/F , PTC (2262)
2. Antenna : Length = 22.6cm for 315MHz